

NYLON CABLE GLANDS



产品材质：采用UL认可的尼龙PA66

密封件：丁晴橡胶(NBR)，耐候橡胶(EPDM)

工作温度：静态-40℃至100℃，瞬间耐热至100℃

防护等级：IP68(旋紧部位，并使用O-密封圈)

颜色种类：黑色(RAL9005)、浅灰(RAL7035)，特殊颜色可定做

Material: Adopting nylon PA66 certificated by UL

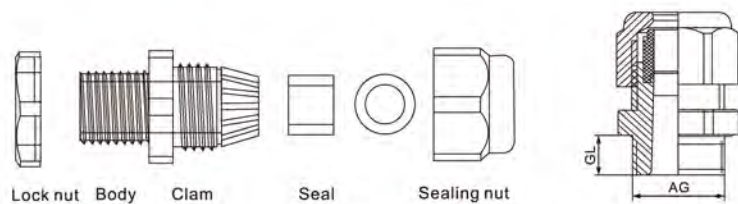
Weather strip: Nitrile butadiene rubber (NBR), Weathering-resistance rubber (EPDM)

Working temperature: -40℃ to 100℃ in static state, instaneous heat resistance up to 100℃

Characteristics: IP68(Rotate the part, and use O ring)

Color: Black (RAL9005), light grey (RAL7035), as well as special colors that can be designed at request.

产品型号 Model	适用电缆 Cable Range (mm)	螺纹外径 Thread O. D. AG (mm)	螺纹长度 Thread length GL (mm)	扳手直径 Spanner Size (mm)
PG7	3~6.5	12.5	8	16
PG7	2~5	12.5	8	16
PG9	4~8	15.2	8	19
PG9	2~6	15.2	8	19
PG11	5~10	18.6	8	22
PG11	3~7	18.6	8	22
PG13.5	6~12	20.4	10	24
PG13.5	5~9	20.4	10	24
PG16	10~14	22.5	10	27
PG16	7~12	22.5	10	27
PG19	12~16	24	10	27
PG19	10~13	24	10	27
PG21	13~18	28.3	10	33
PG21	9~16	28.3	10	33
PG25	16~21	30	11	35
PG25	13~18	30	11	35
PG29	18~25	37	12	42
PG29	13~20	37	12	42
PG36	22~32	47	14	52
PG36	20~26	47	14	52
PG42	32~38	54	14	60
PG42	25~31	54	14	60
PG48	37~44	59.3	15	64
PG48	29~35	59.3	15	64
PG63	42~50	71	28	77
PG63	32~40	71	28	77



NYLON CABLE GLANDS(METRIC)



■ **Threaded entry: Metric**

Material: parts A.C.E.F. are made of nylon 66 characterised by high fire resistant with its flam ability rating UL 94V-2, parts b and d are made of EPDM neoprene.

Color: black and grey.

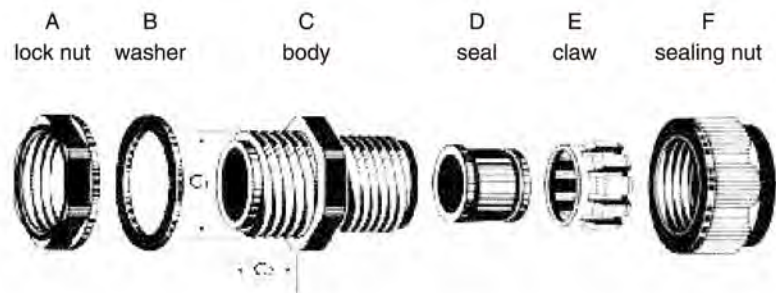
Working temperature: -40°C-100°C, the item can also endure 120°C instantly

protection: IP68

Standard: IEC698

Installation: directly screw into hole of same thread size or fix with the spare locknut, with cable through it inside hole, seal the sealing nut

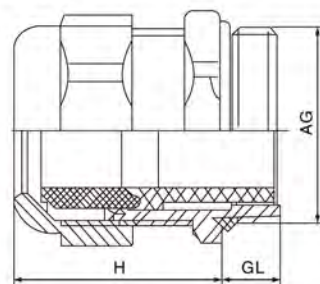
ITEM NO.	Threaded entry metric (mm)	Cable range ϕ (mm)	Thread O.D.C1 C1 (mm)	Panel mounting hole (mm)	Thread length C2 (mm)	Sealing nuts size F (mm)	Lock nut size A (mm)
MG-12	M12×1.25	7.6-4.6	12	12.5	8.5	19	18
MG-16	M16×1.5	10.6	16	16.5	15	22	22
MG-20	M20×1.5	14-9	20	20.5	15	27	27
MG-25	M25×1.5	18-13	25	25.5	15	33	33
MG-32	M32×1.5	25-18	32	33	15	41	41
MG-40	M40×1.5	30-24	40	41	20	50	50
MG-50	M50×1.5	39-30	50	51	22	62	61
MG-63	M63×1.5	48.5-40	63	64	25	75	75



金属电缆防水接头 M系列防水型

METAL CABLE GLAND M SERIES WATERPROOF TYPE

材料	黄铜镀镍	Material	Brass nickel plated
夹紧件	尼龙塑料(PA)	Claw	Nickl plastic(PA)
密封件	丁腈橡胶(NBR)	Sealing	NBR
O-密封圈	丁腈橡胶(NBR)	O-Sealing ring	NRB
防护等级	IP68-10巴压力(旋紧部位)	Protection level	IP68-10 bar pressure(fixed installationand with O-sealing ring)
环境温度	-40℃至100℃, 短时至120℃	Ambienttemperature	-40~100℃, temporary to 120℃



产品特性：特殊夹紧爪与夹紧圈之设计，夹紧电缆范围大，抗拉力特强，可防水、防尘抗尘抗盐、耐弱酸、酒精、油、油脂及一般溶剂。

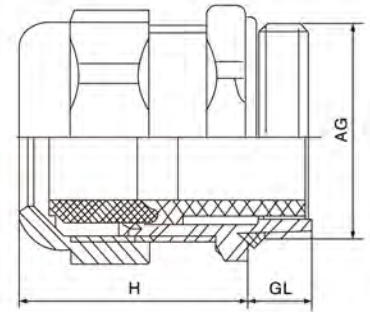
Character: Special design of clamping claw and clamping ring, wide clamping range, high stretching resistance, water proof, dust proof, salt resistant for weak acid, alcohol, oil, grease and general solvent.

螺牙规格AG Specification of thread	适用电缆 Cable Range	螺牙外径 Outer diameter of thread	机板口径 Mounting hole diameter	螺纹长度 Thread length GL	螺纹长度加长型GL Thread length (leng thened type)	接合长度H Jointlength	扳手径 Wrench diameter
M8×1.25	4-2	8mm	8-8.2	6mm	8mm	17mm	11mm
M10×1.5	6-3	10mm	10-10.2	6mm	8mm	17mm	12mm
M12×1.5	6.5-3	12mm	12-12.2	8mm	11mm	20mm	14mm
M14×1.5	8-4	14mm	14-14.2	8mm	11mm	20mm	17mm
M16×1.5	8-4	16mm	16-16.2	9mm	11mm	21mm	18mm
M18×1.5	10-5	18mm	18-18.2	9mm	11mm	22mm	20mm
M20×1.5	12-6	20mm	20-20.2	9mm	16mm	23mm	22mm
M22×1.5	14-10	22mm	22-22.2	9mm	16mm	24mm	24mm
M24×1.5	14-10	24mm	24-24.2	10mm	16mm	26mm	24/27mm
M25×1.5	14-10	25mm	25-25.2	10mm	16mm	26mm	24/27mm
M25×1.5	18-13	25mm	25-25.2	10mm	16mm	28mm	30mm
M27×1.5(2)	18-13	27mm	27-27.2	10mm	16mm	28mm	30mm
M28×1.5(2)	18-13	28mm	28-28.2	10mm	16mm	28mm	30mm
M30×1.5(2)	22-15	30mm	30-30.2	10mm	16mm	30mm	30/32mm
M32×1.5(2)	22-15	32mm	32-32.2	11mm	16mm	30mm	35mm
M33×1.5(2)	22-15	33mm	33-33.2	11mm	16mm	30mm	35mm
M36×1.5(2)	25-18	36mm	36-36.2	11mm	16mm	32mm	40mm
M37×1.5(2)	25-18	37mm	37-37.2	11mm	16mm	32mm	40mm
M40×1.5(2)	25-18	40mm	40-40.2	12mm	16mm	32mm	40/45mm
M40×1.5(2)	30-22	40mm	40-40.2	12mm	16mm	36mm	45mm
M42×1.5(2)	30-22	42mm	42-42.2	12mm	16mm	36mm	45mm
M47×1.5(2)	33-25	47mm	47-47.2	12mm	16mm	38mm	50mm
M48×1.5(2)	33-25	48mm	48-48.2	12mm	16mm	38mm	50mm
M50×1.5(2)	38-32	50mm	50-50.2	13mm	16mm	38mm	57/55mm
M54×1.5(2)	38-32	54mm	54-54.2	13mm	16mm	39mm	57mm
M56×1.5(2)	38-32	56mm	56-56.2	13mm	16mm	39mm	57/59mm
M60×1.5(2)	44-37	60mm	60-60.2	14mm	16mm	39mm	65mm
M63×1.5(2)	44-37	63mm	63-63.2	14mm	16mm	39mm	65mm
M64×1.5(2)	52-42	64mm	64-64.2	14mm	16mm	39mm	65/68mm
M72×1.5(2)	52-42	72mm	72-72.2	16mm	21mm	43mm	77mm
M75×1.5(2)	52-42	75mm	75-75.2	16mm	21mm	43mm	77mm
M80×1.5(2)	62-55	80mm	80-80.2	16mm	21mm	46mm	90mm
M88×1.5(2)	70-65	88mm	88-88.2	16mm	21mm	46mm	94mm
M100×1.5(2)	84-78	100mm	100-100.2	16mm	21mm	46mm	110mm

金属电缆防水接头 PG系列防水型

METAL CABLE GLAND PG SERIES WATERPROOF TYPE

材料	黄铜镀镍	Material	Brass nickel plated
夹紧件	尼龙塑料(PA)	Claw	Nickl plastic(PA)
密封件	丁腈橡胶(NBR)	Sealing	NBR
O-密封圈	丁腈橡胶(NBR)	O-Sealing ring	NRB
防护等级	IP68-10巴压力(旋紧部位)	Protection level	IP68-10 bar pressure(fixed installationand with O-sealing ring)
环境温度	-40℃至100℃, 短时至120℃	Ambienttemperature	-40~100℃, temporary to 120℃



产品特性: 特殊夹紧爪与夹紧圈之设计, 夹紧电缆范围大, 抗拉力特强, 可防水、防尘抗盐抗盐、耐弱酸、酒精、油、油脂及一般溶剂。

Character: Special design of clamping claw and clamping ring, wide clamping range, high stretching resistance, water proof, dust proof, salt resistant for weak acid, alcohol, oil, grease and general solvent .

螺牙规格AG Specification of thread	适用电缆 Cable Range	螺牙外径 Outer diameter of thread	机板口径 Mounting hole diameter	螺纹长度 Thread length GL	螺纹长度加长型GL Thread length (leng thened type)	接合长度H Jointlength	板手径 Wrench diameter
PG7	6.5-3	12.5mm	12.5-12.7mm	8mm	11mm	20mm	14mm
PG7	5-2	12.5mm	12.5-12.7mm	8mm	11mm	20mm	14mm
PG9	8-4	15.2mm	15.21-15.4mm	9mm	11mm	21mm	17mm
PG9	6-2	15.2mm	15.21-15.4mm	9mm	11mm	21mm	17mm
PG11	10-5	18.6mm	18.61-18.8mm	9mm	11mm	22mm	20mm
PG11	7-3	18.6mm	18.6-18.8mm	9mm	11mm	22mm	20mm
PG13.5	12-6	20.4mm	20.4-20.4mm	9mm	16mm	23mm	22mm
PG13.5	9-5	20.4mm	20.4-20.6mm	10mm	16mm	23mm	22mm
PG16	14-10	22.5mm	22.5-22.7mm	10mm	16mm	24mm	24mm
PG16	12-6	22.5mm	22.5-22.7mm	10mm	16mm	24mm	24mm
PG19	14-10	25mm	25-25.2mm	10mm	16mm	26mm	24/27mm
PG21	18-13	28.3mm	28.3-28.5mm	10mm	16mm	28mm	30mm
PG21	16-9	28.3mm	28.3-28.5mm	10mm	16mm	28mm	30mm
PG25	22-15	32mm	32-32.2mm	11mm	16mm	30mm	35mm
PG29	25-18	37mm	37-37.2mm	12mm	16mm	32mm	40mm
PG29	20-13	37mm	37-37.2mm	12mm	16mm	32mm	40mm
PG36	33-22	37mm	47-47.2mm	13mm	16mm	38mm	50mm
PG36	26-20	37mm	47-47.2mm	13mm	16mm	38mm	50mm
PG42	38-32	54mm	54-54.2mm	14mm	16mm	39mm	57mm
PG42	31-25	54mm	54-54.2mm	14mm	16mm	39mm	57mm
PG48	44-37	59.3mm	59.3-59.5mm	15mm	16mm	39mm	65mm
PG48	35-29	59.3mm	59.3-59.5mm	15mm	16mm	39mm	65mm
PG63	52-42	72mm	72-72.2mm	16mm	21mm	43mm	77mm